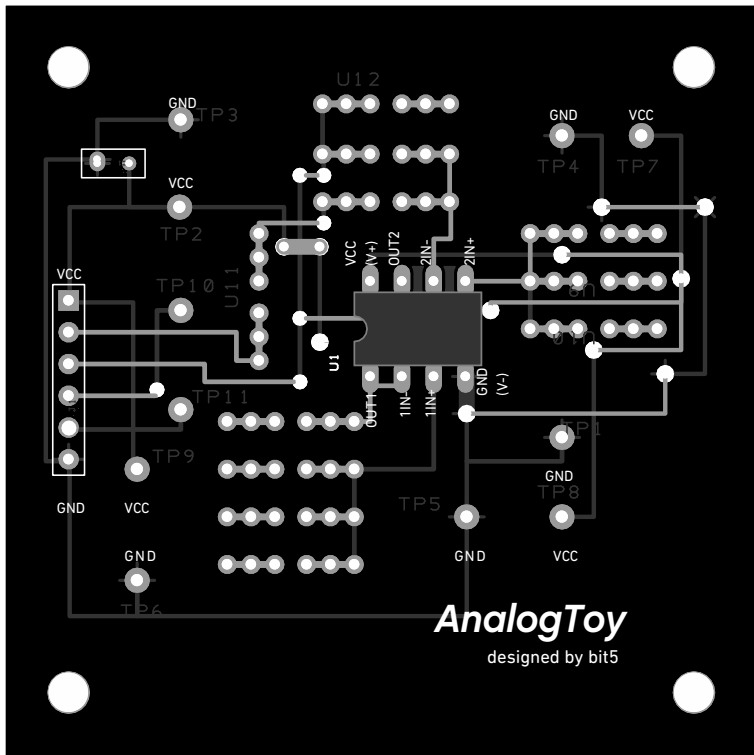
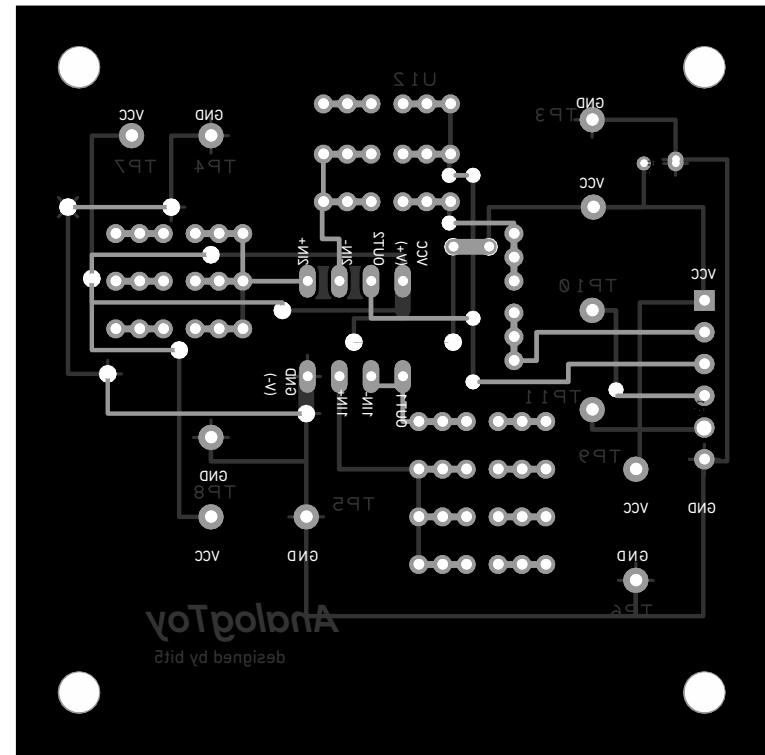


# Wiring of AnalogToy / 実体配線図

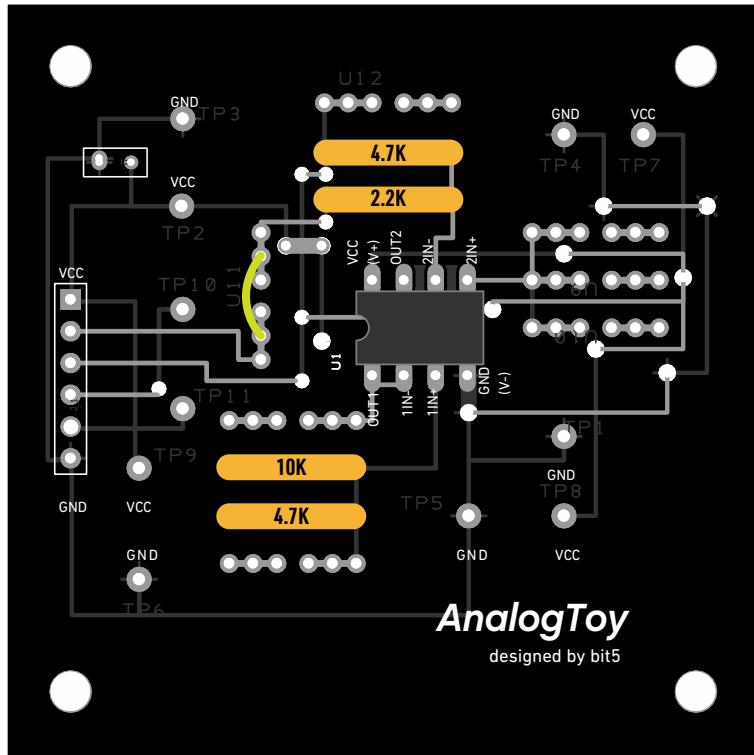
## Board Pattern



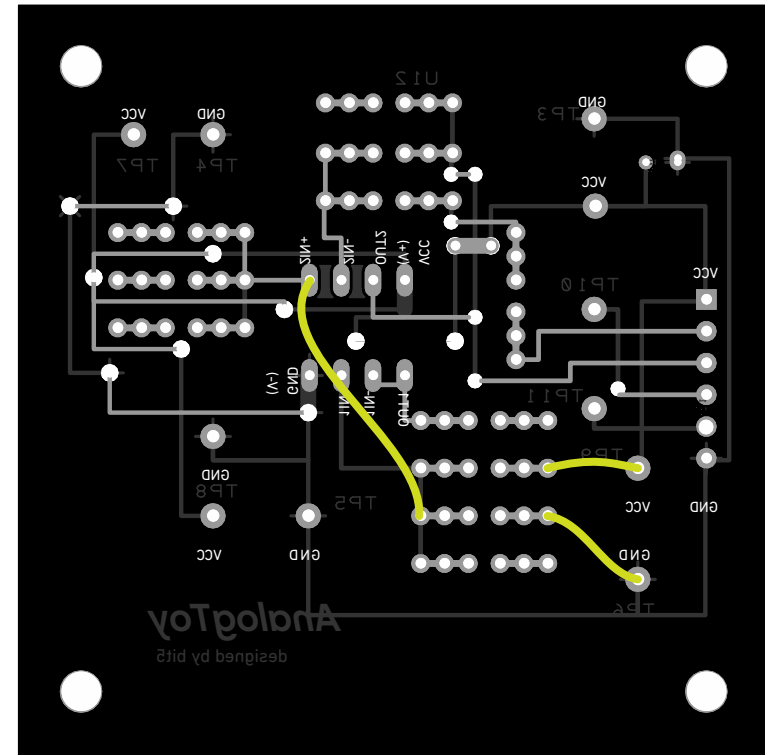
Top view



# Inverting Amplifier / 反轉增幅回路



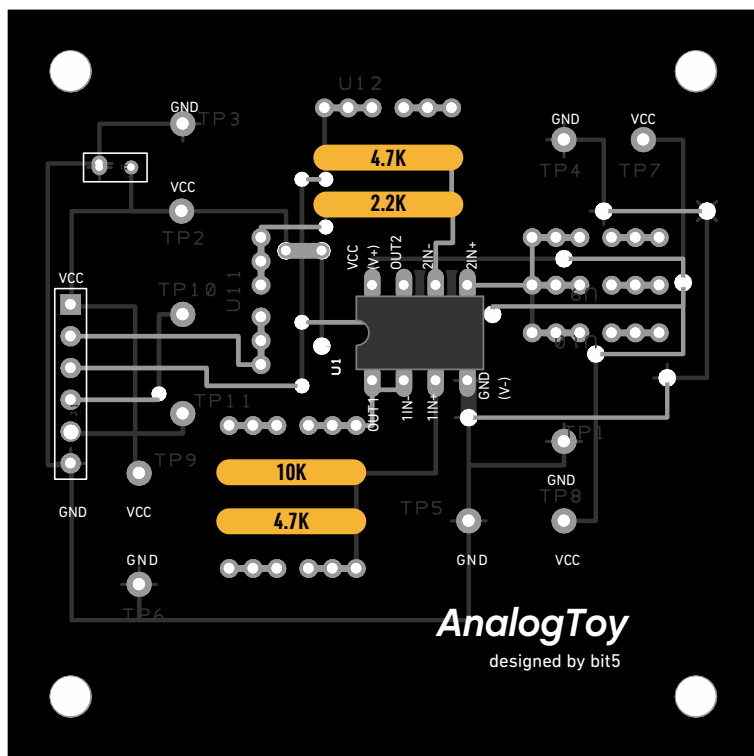
Top view



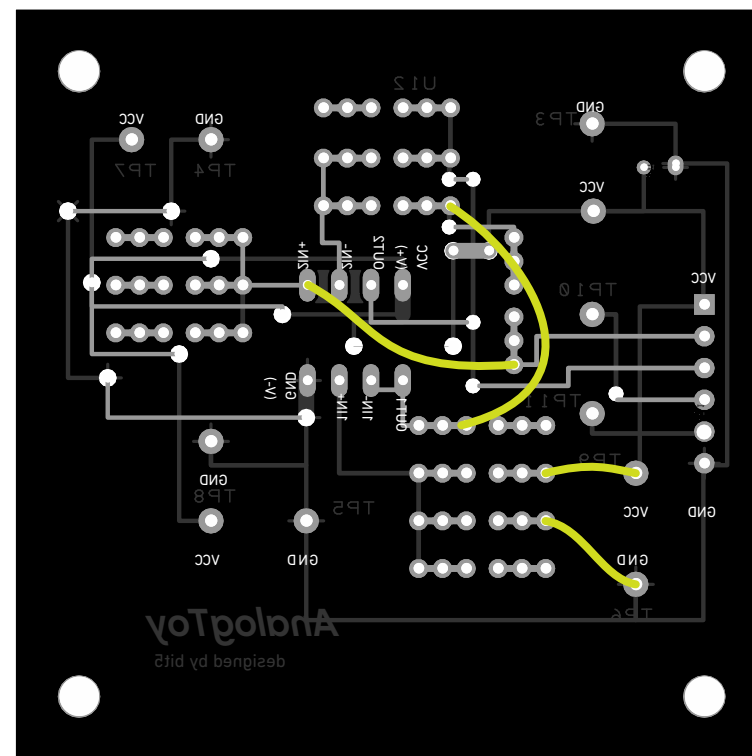
Bottom view

# Non-Inverting Amplifier with Voltage Follower

## 非反転増幅回路 (ボルテージフォロワー付き)

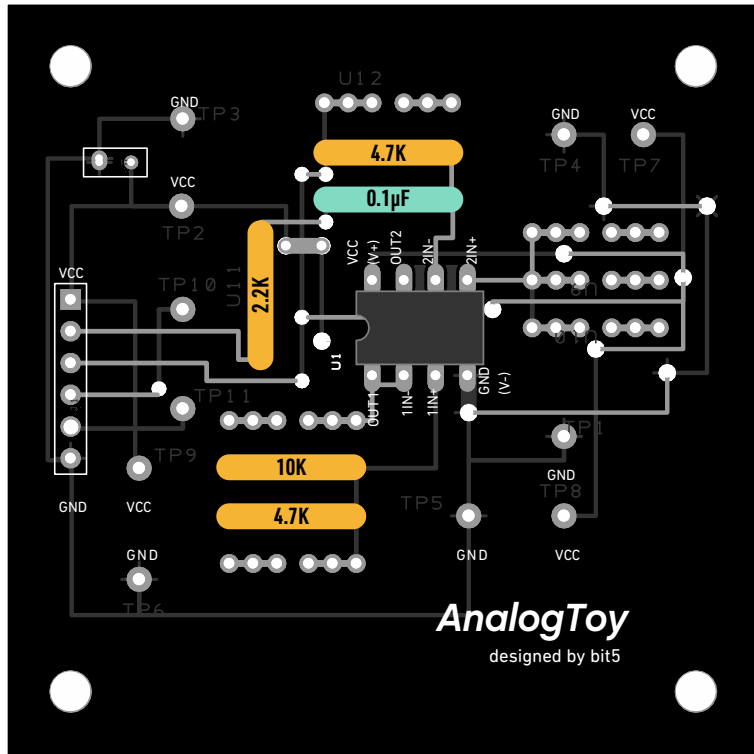


Top view

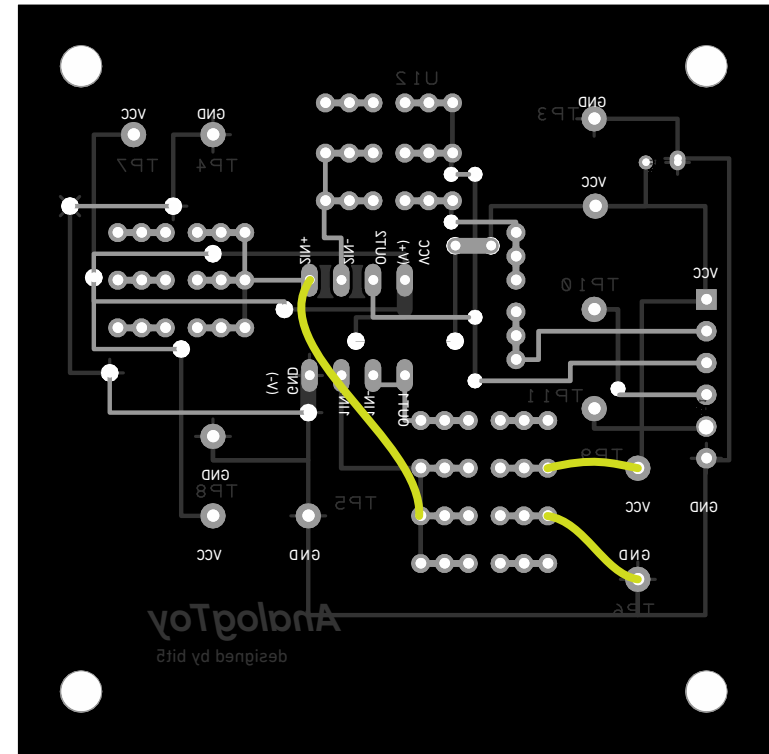


Bottom view

# Differentiator / 微分回路

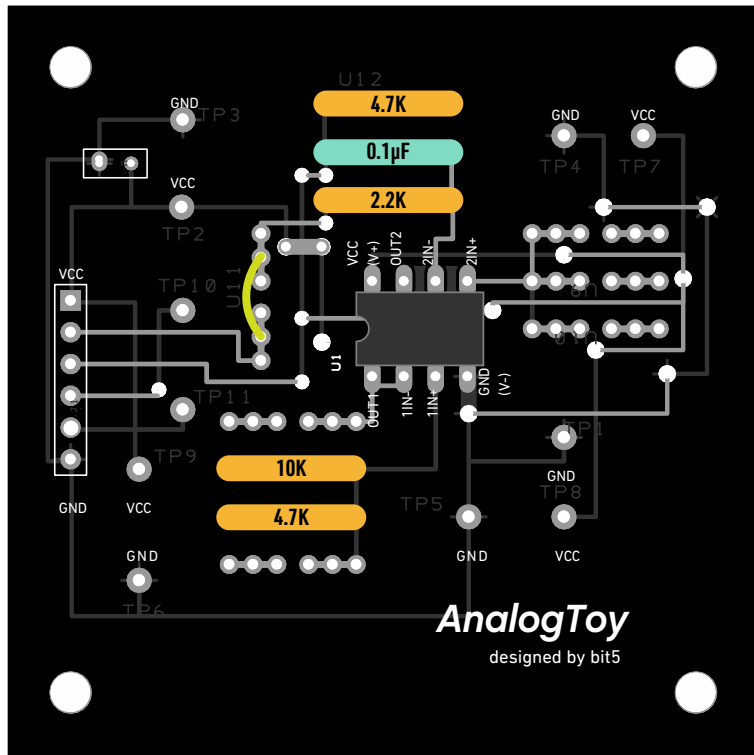


Top view

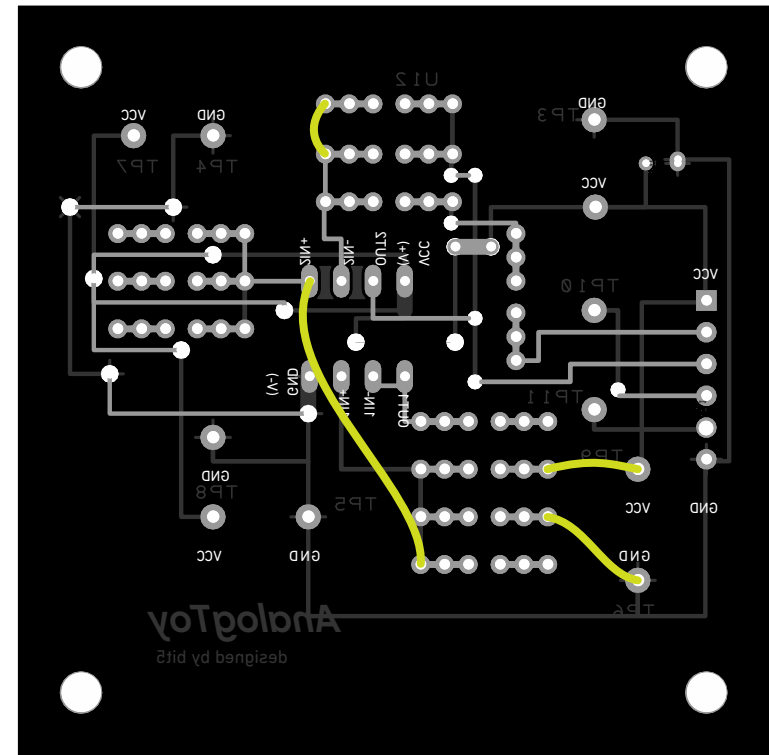


Bottom view

# Inverting Integrator / 反轉積分回路

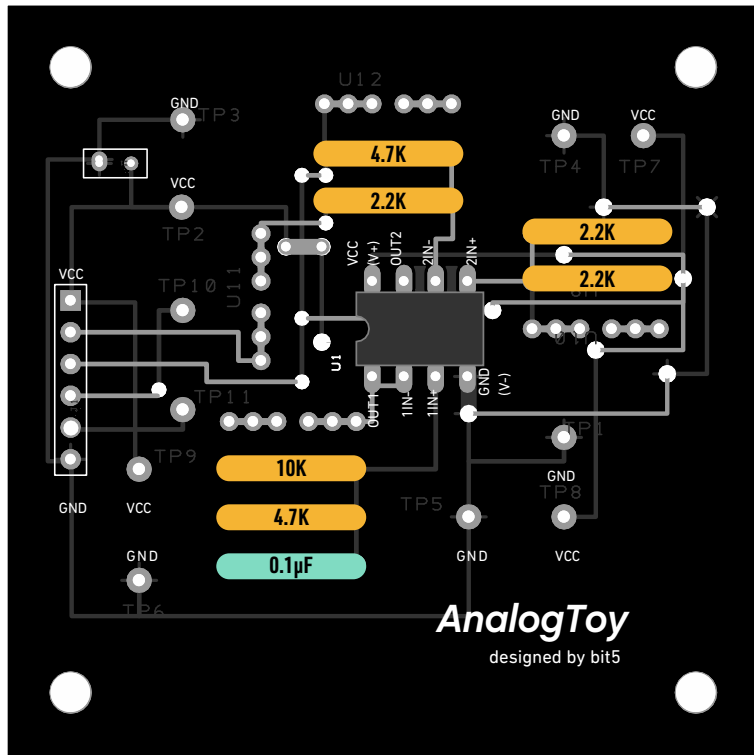


Top view

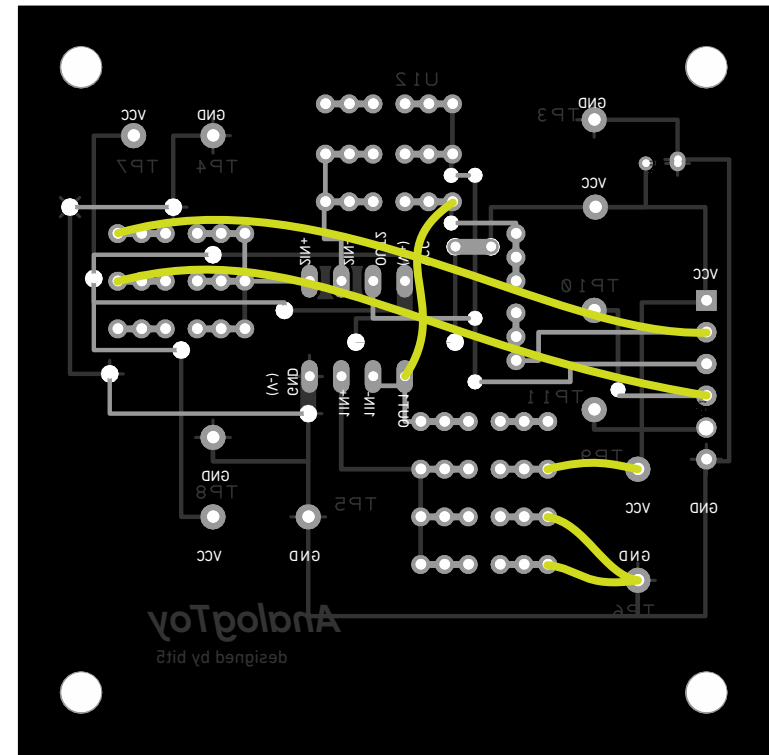


Bottom view

# Non Inverting Adder / 非反轉加算回路

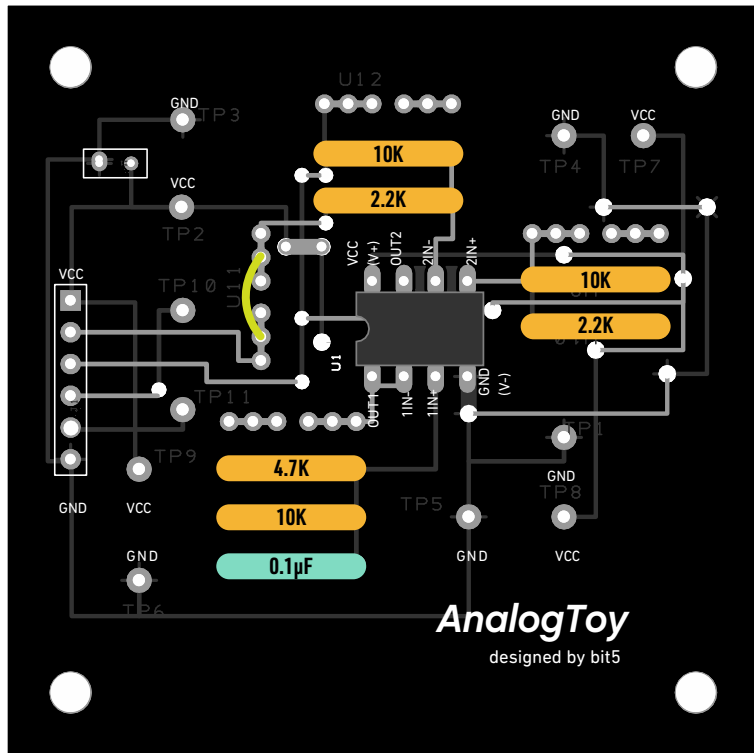


Top view

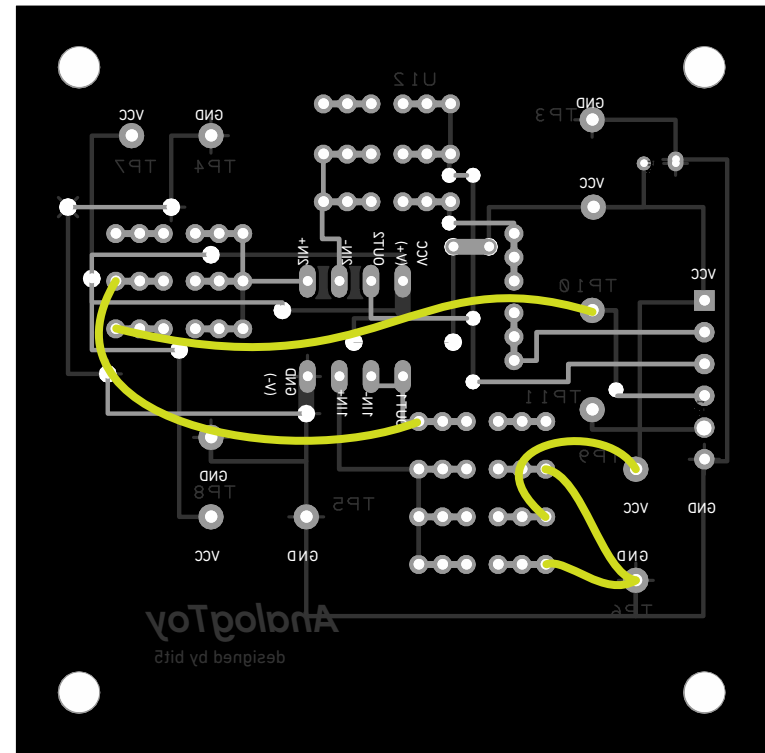


Bottom view

# Inverting Subtractor / 反轉減算回路



Top view



Bottom view